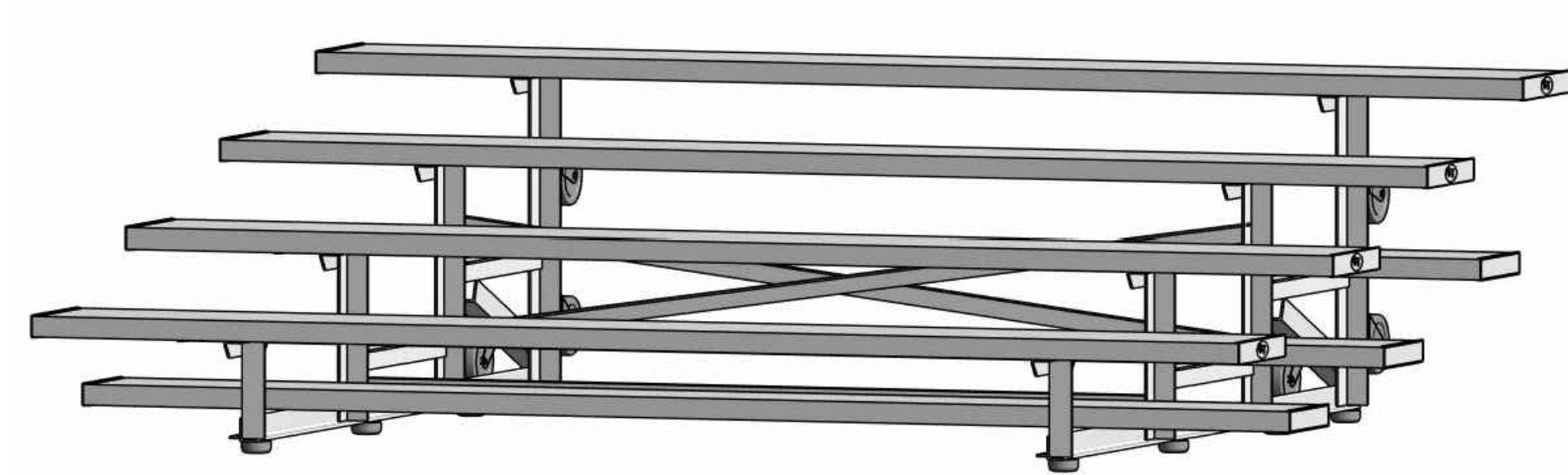


TIP - N - ROLL BLEACHER

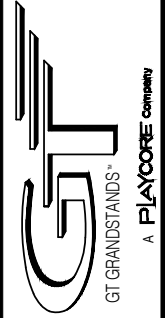


ALUMINUM 4 ROW x 9'-0" - UNIVERSAL SERIES

MODEL
LU-0409AS-TR



2810 Sydney Road
Plant City, Florida 33566
Phone: 813-305-1415
Fax: 813-305-1419
www.ggrandstands.com



COVER SHEET
4 ROW BLEACHER
TIP - N - ROLL

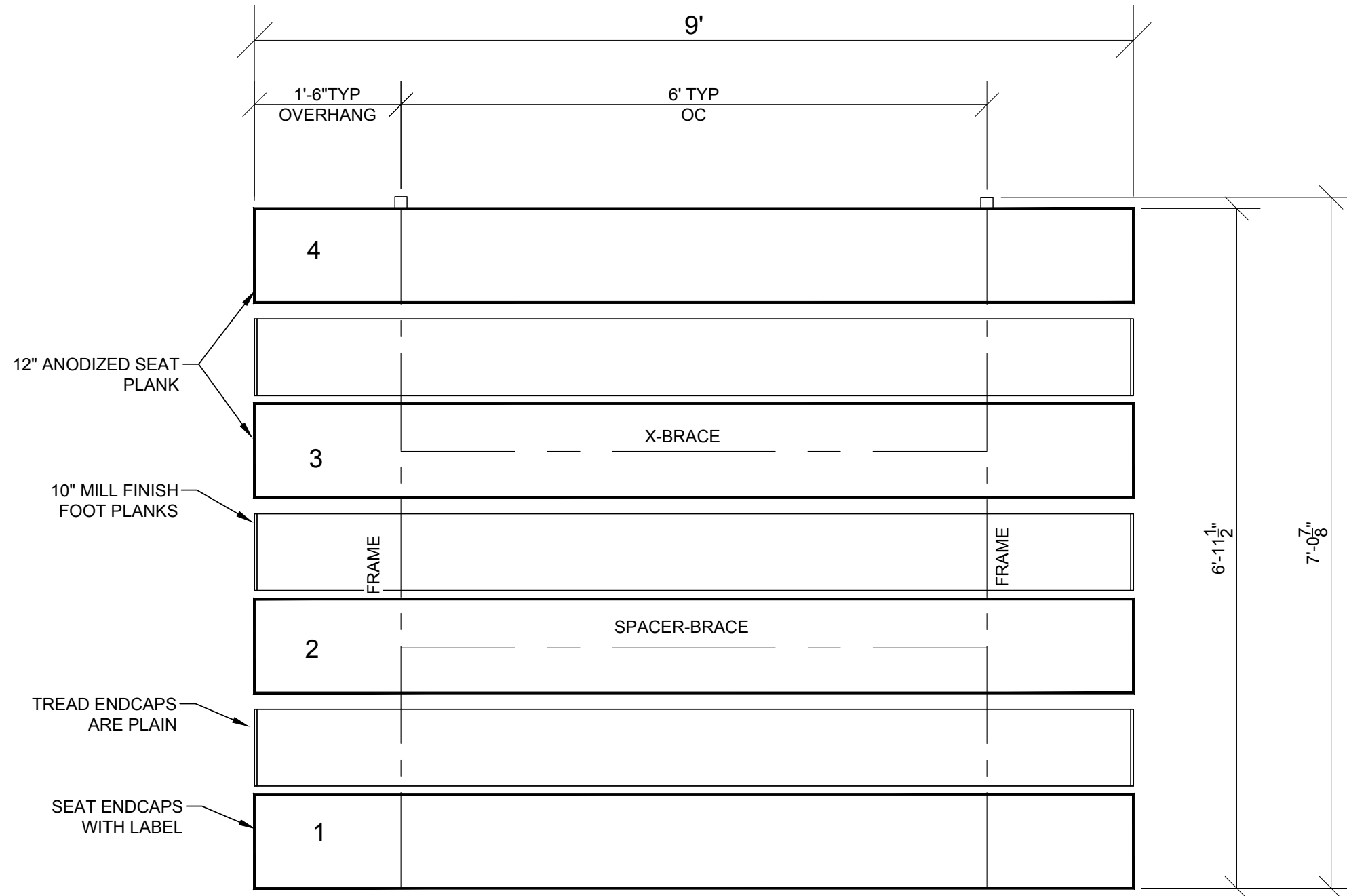
LU-0409AS-TR
LU SERIES

DRAWN BY
MME
CHECKED BY
TLC
DATE
4/28/2016
SCALE
JOB NO.

LU-0409AS-TR
DWG NO.

- CS.1 - COVER SHEET
- SP.1 - BLEACHER SEATING PLAN
- BA.1 - BLEACHER ASSEMBLY
- PF.1 - PLANK & FRAME

CS.1



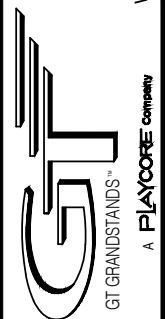
SEATING PLAN
SCALE: 3/4" = 1' - 0"

SECTION LENGTH	GROSS SEATS	ACTUAL SEATS	NO. OF ROWS	NET SEATS
9	6.00	6.00	4	24
				NET SEATS 24
				WHEELCHAIR SPACES 0
				TOTAL NET SEATING CAPACITY 24
				(BASED ON 18" PER SEAT)

LOCAL CODES AND SPECIFICATIONS WILL VARY FROM REGION TO REGION AND WILL ALSO CHANGE OVER TIME. IT IS THE BUYER'S RESPONSIBILITY TO CHECK LOCAL CODES FOR COMPLIANCE.



2810 Sydney Road
Plant City, Florida 33566
Phone: 813-305-1415
Fax: 813-305-1419
www.gtgrandstands.com



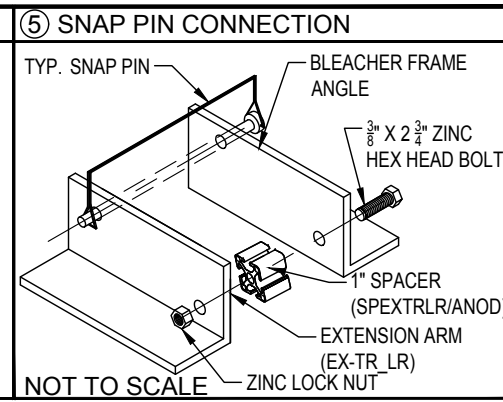
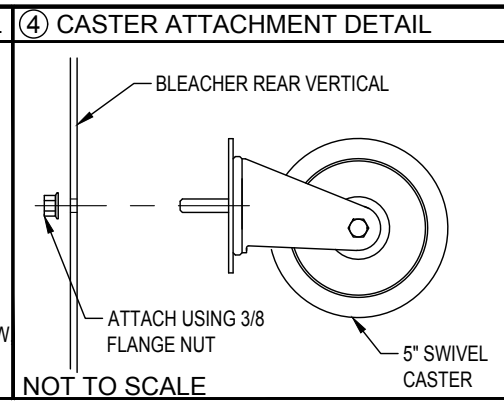
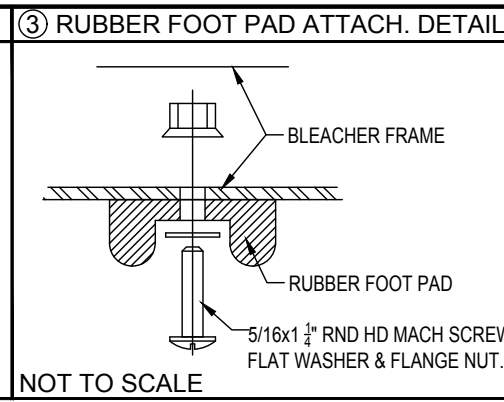
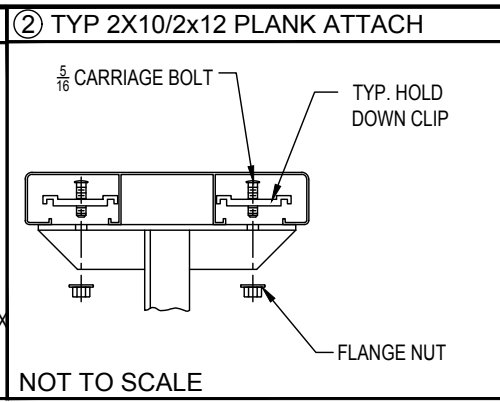
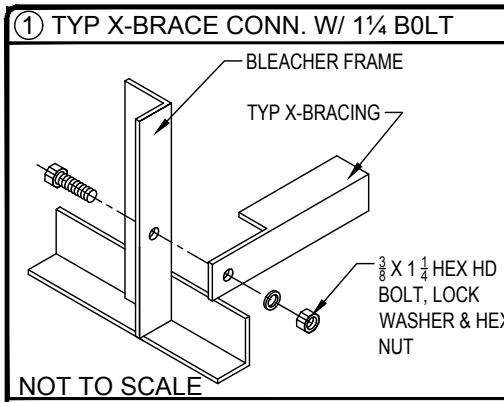
SEATING PLAN
4 ROW BLEACHER
TIP - N - ROLL

LU-0409AS-TR
LU SERIES

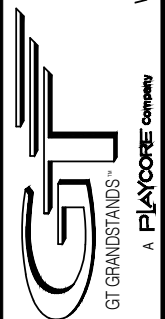
DRAWN BY
MME
CHECKED BY
TLC
DATE
4/28/2016
SCALE
3/4" = 1' - 0"
JOB NO.

LU-0409AS-TR
DWG NO.

SP.1



2810 Sydney Road
Plant City, Florida 33566
Phone: 813-305-1415
Fax: 813-305-1419
www.gtgrandstands.com



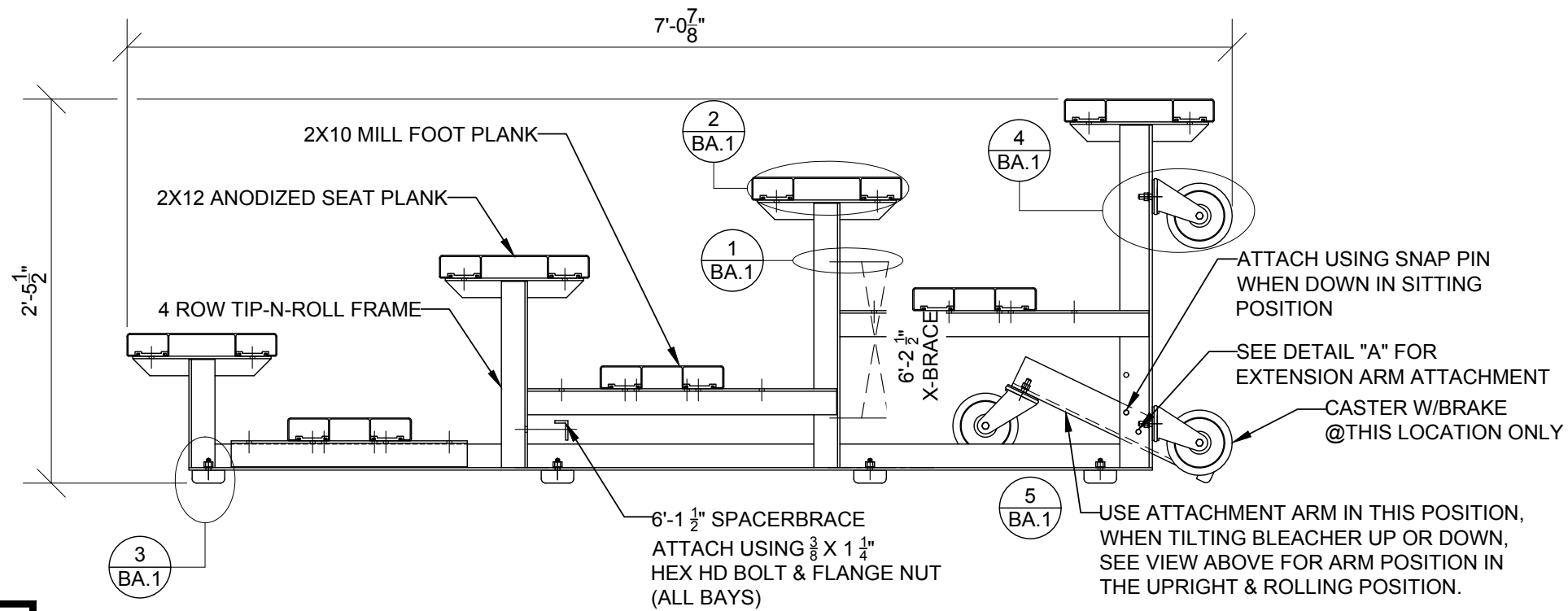
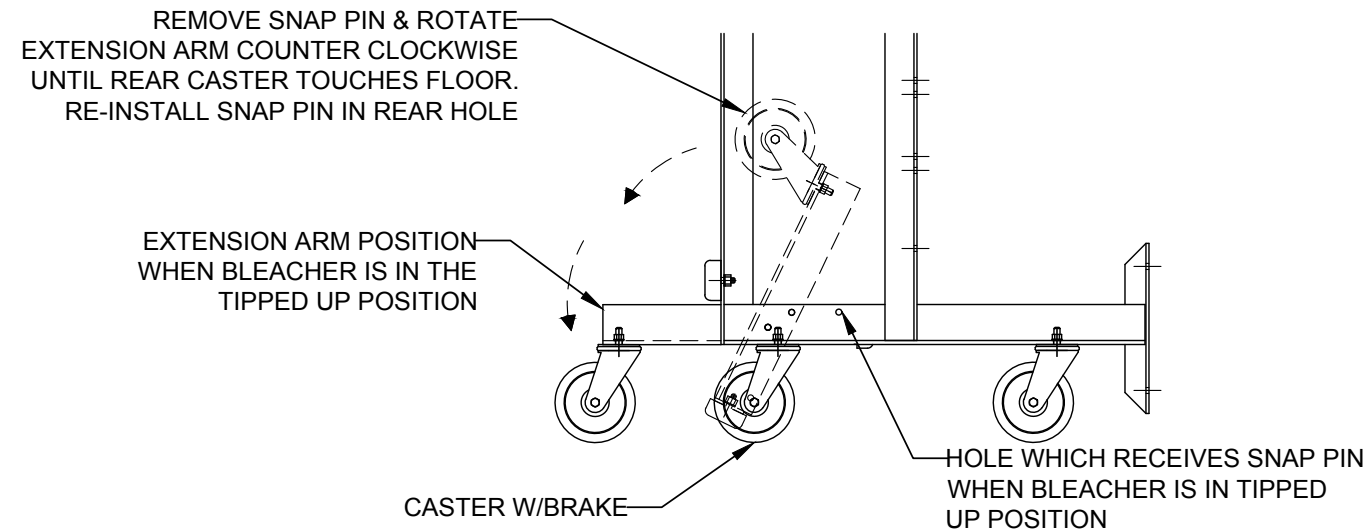
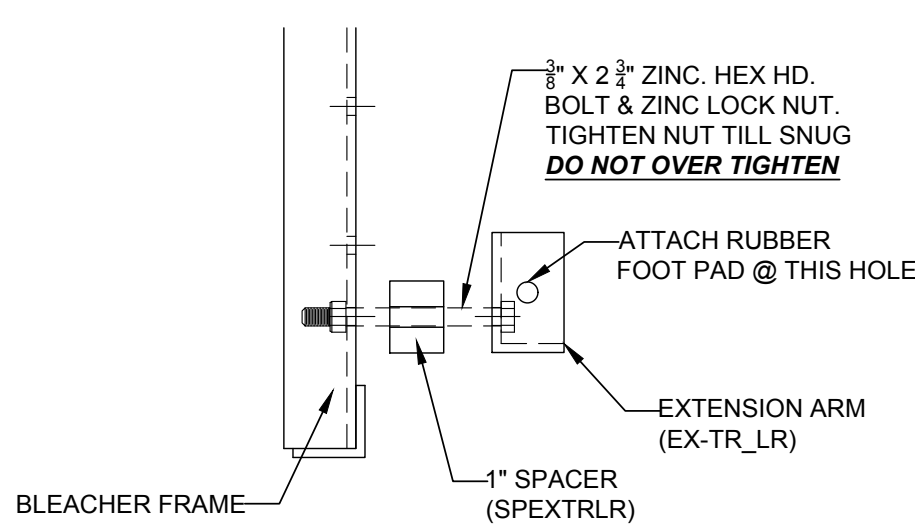
BLEACHER ASSEMBLY
4 ROW BLEACHER
TIP - N - ROLL

LU-0409AS-TR
LU SERIES

DRAWN BY
MME
CHECKED BY
TLC
DATE
4/28/2016
SCALE
AS SHOWN
JOB NO.

LU-0409AS-TR
DWG NO.

BA.1



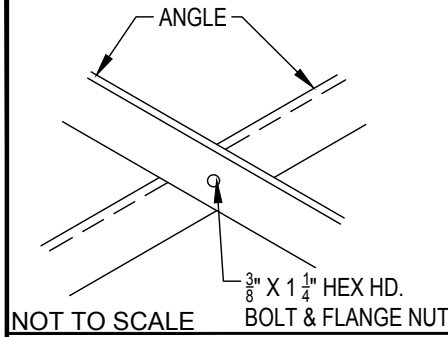
WARNING

TIP N' ROLL BLEACHERS ARE SUITABLE FOR INDOOR OR OUTDOOR USE. HOWEVER, THEY SHOULD ONLY BE TIPPED UP ON THE CASTERS INDOORS, DUE TO POTENTIAL WIND HAZARDS IF TIPPED UP OUTDOORS. THESE LIGHT-WEIGHT UNITS ARE EASILY TIPPED UP BY ANY RESPONSIBLE ADULT.

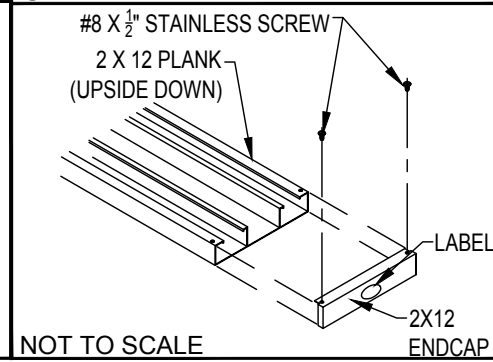
BLEACHER ASSEMBLY ELEVATION

SCALE: 1" = 1' - 0"

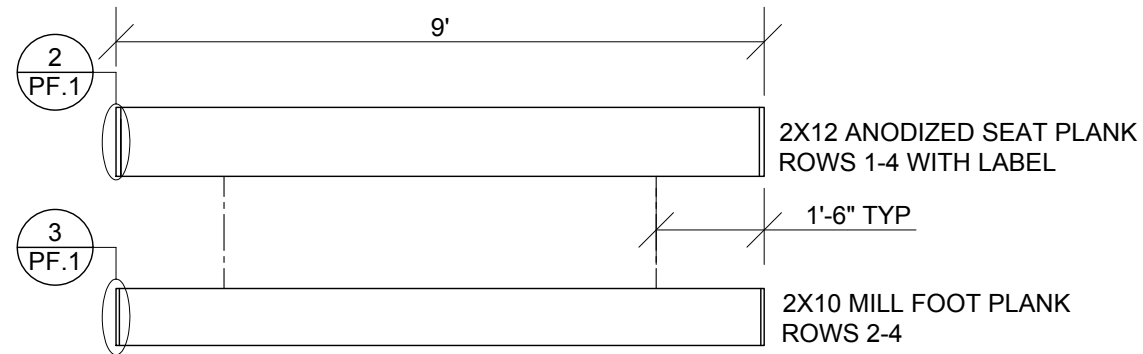
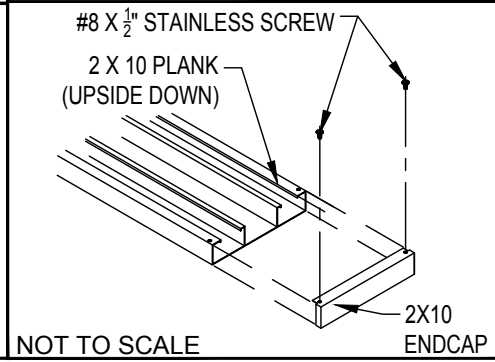
① TYP X-BRACE CONN. W/ 1 1/4 BOLT



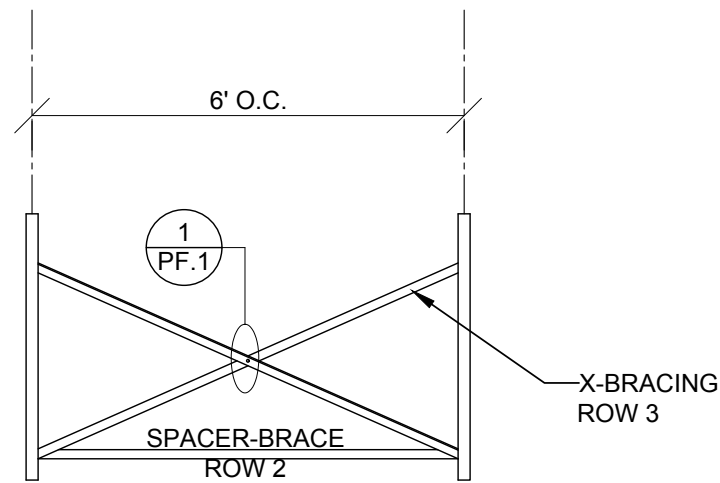
② TYP 2x12 ENDCAP ATTCH. W/LABEL



③ TYP 2x10 ENDCAP ATTACHMENT



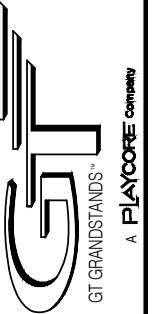
PLANK PLAN
SCALE: 3/8 1' - 0"



FRAME SECTION
SCALE: NTS



2810 Sydney Road
Plant City, Florida 33566
Phone: 813-305-1415
Fax: 813-305-1419
www.ggrandstands.com



PLANK AND FRAME
4 ROW BLEACHER
TIP - N - ROLL

LU-0409AS-TR
LU SERIES

DRAWN BY
MME
CHECKED BY
TLC
DATE
4/28/2016
SCALE
AS SHOWN
JOB NO.

LU-0409AS-TR
DWG NO.

PF.1